

## Corrosion Resistant Tanks

Vanaire tanks offer the ultimate in corrosion protection.

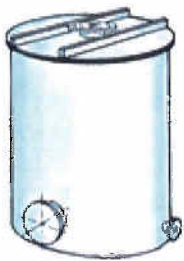
Our filament-wound tanks utilize continuous strands of glass to produce a fully-laminated shell without seams. The application of the glass fiber is controlled to give the ideal helical angle and also the right proportion of glass to resin. Filament-wound tanks are fabricated in accord with ASTM D3299-74.

Vanaire hand lay-up tanks are produced per standard PS 15-69 and ASTM D4097 following the highest practices of quality in materials and workmanship. These tanks are reinforced using the spray-up method of interlaying layers of woven roving glass. The homogeneous quality of the laminate is achieved by careful removal of all air entrapment and through wetting of the glass with the resin.

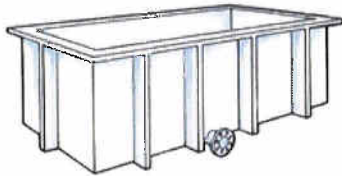
Vanaire tanks can be fitted with a wide variety of accessories tailored to meet the most demanding specifications.

### Accessories

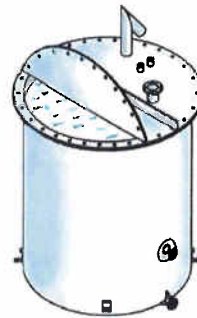
- Threaded nozzles
- Flanged nozzles
- Top manways
- Side manways
- Lifting lugs
- Hold-down lugs
- Ladders and cages
- Internal baffles
- Insulation
- Liquid level indicators
- Agitator supports
- Dip tubes
- Steam or electrical heat



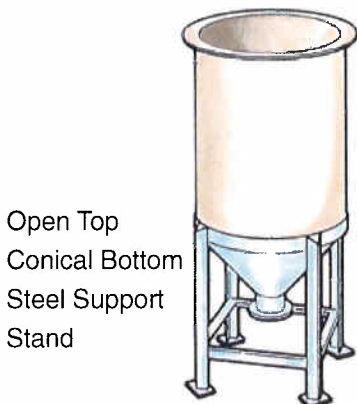
Open Top



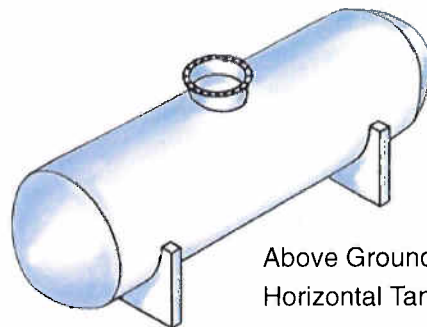
Rectangular Tank



Flat Top Flat Bottom



Open Top  
Conical Bottom  
Steel Support  
Stand



Above Ground  
Horizontal Tank